

PIIM-275 DS/3+1 Vseries

- Surge arresters type T2 ensure the equipotential bonding and reduce switching, induced and residual overvoltage in LV power supply systems.
- The products consist of varistors with big discharge ability.
- Configurations 1+1 and 3+1 are additionally combined with a gas discharge tube which ensures zero leakage current through the PE conductor.
- Installed on the interface of LPZ 1 – LPZ 2 into subsidiary switchboards and control boxes.
- **M** indication specifies a type of construction with removable module.
- **DS** indication specifies a version with remote monitoring.
- Other voltage levels can be produced on request.

Type	PIIM-275 DS/3+1 Vseries	
Test class according to EN 61643-11:2012 (IEC 61643-11:2011)	T2	
System	TN-S, TT	
Number of poles	4	
Rated operating AC voltage	U_N	230 V
Maximum continuous operating voltage AC	U_C	275 V
Maximum discharge current (8/20)	I_{max}	50 kA
Nominal discharge current for class II test (8/20)	I_n	20 kA
Total discharge current (8/20) L1+L2+L3+N->PE	I_{Total}	50 kA
Voltage protection level at I_n	U_p	< 1.3 kV
Impulse discharge current for class I test (10/350) N/PE	I_{imp}	20 kA
Temporary overvoltage test (TOV) for $t_T = 5$ s (L/N)	U_T	335 V
Temporary overvoltage test (TOV) for $t_T = 0.2$ s (N/PE)	U_T	1 200 V
Response time (L/N)	t_A	< 25 ns
Response time (N/PE)	t_A	< 100 ns
Maximal back-up fuse	160 A gL/gG	
Short-circuit current rating at maximum back-up fuse	I_{SCCR}	60 kA _{rms}
Lightning protection zone	LPZ 1-2, LPZ 2-3	
Housing material	Polyamid PA6, UL94 V-0	
Degree of protection	IP20	
Operating temperature	θ	-40 ÷ 70 °C
Minimum cross-section of connected Cu conductors accord. to HD 60364-5-53:2022 (doesn't apply to „V“ connection) for T2	S	2.5 mm ² (L, N) 6 mm ² (PE, PEN)
Clamp fastening range (solid conductor)	2.5 ÷ 35 mm ²	
Clamp fastening range (stranded conductor)	2.5 ÷ 25 mm ²	
Tightening moment	4 Nm	
Installation	On DIN rail 35 mm	
Modular width	4 TE	
Operating position	Any	
Signalling at the device	Optic	

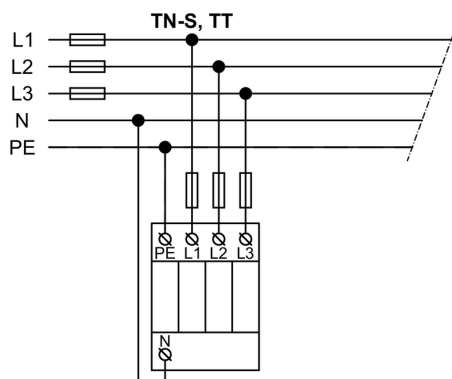
Type		PIIIM-275 DS/3+1 Vseries
Importance of local signaling		OK – green target FAULT – red target
Remote signalling		Yes
Potential free signal contact (S) (recommended cross-section of remote monitoring max. 1 mm ²)		AC: 250 V / 1.5 A, DC: 250 V / 0.1 A
Modular design		Yes
Article number of spare module		27 044, 27 049
Lifetime		> 100 000 h
Designed according to standards		
Requirements and test methods for SPDs connected to low-voltage power systems		IEC 61643-11:2011
Safety of Flammability of Plastic Materials		UL 94
Application standards		
Protection against lightning		IEC 62305:2010
Selection and erection of electrical equipment – Switchgear and controlgear		HD 60364-5-53:2022
Selection and application principles for SPDs connected to low-voltage power systems		CLC/TS 61643-12:2009
Ordering, packaging and additional data		
Mass	m	478 g
Mass (including the packaging)	m	502 g
Packaging dimensions (H x W x D)		77 x 114 x 88 mm
Packaging value	V	0.77 dm ³
ETIM group		EG000021
ETIM class		EC000941
Customs tariff no.		85363010
EAN code		8590681270233
Art. number		27 023



The link in the QR code leads to the online presentation of the **PIIIM-275 DS/3+1 Vseries**. There, in addition to the always up-to-date data sheet, you will also find all diagrams and drawings, declarations of conformity, or 2D or 3D models and other necessary materials. For more information, visit www.hakil.com



Application wiring diagram (installation)



Internal diagram

